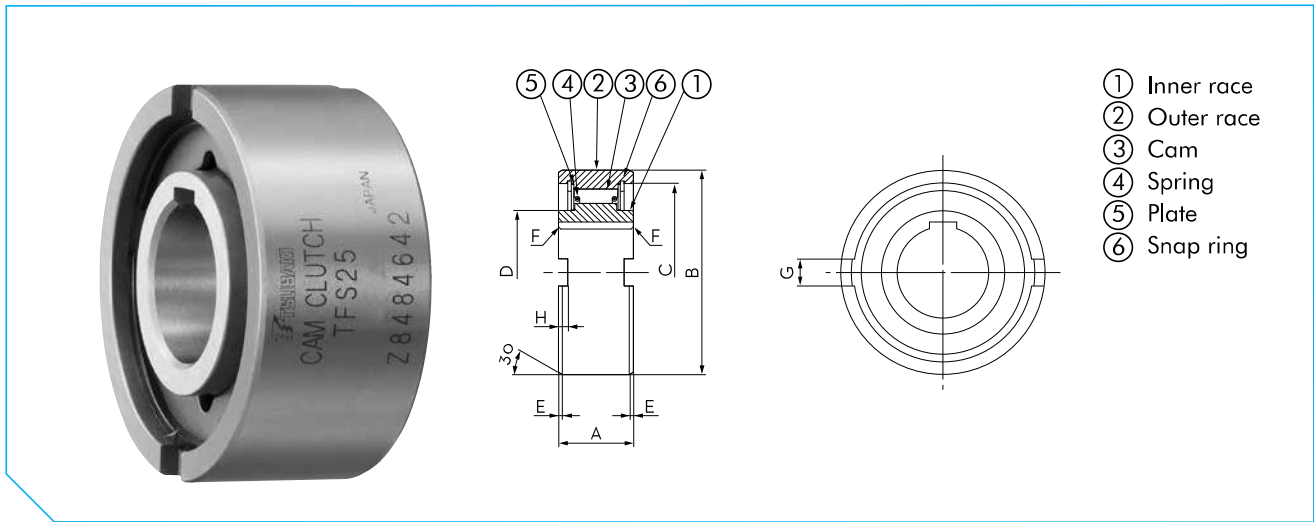


# TFS SERIES CAM CLUTCH



## TFS

Dimensions in mm

Model	Torque Capacity Nm	Max. Overrunning Speed		Drag Torque Nm	Bore Size H7	Inner Race Keyway	A	B	C	D	E	F	G	H	Approx. Mass g/pc
		Inner Race r/min	Outer Race r/min												
TFS12	18	4500	2300	0.04	12	4 x 1.8	13	35	30	18	0.6	0.3	4	1.4	68
TFS15	28	3500	1800	0.06	15	5 x 1.2	18	42	36	22	0.8	0.3	5	1.8	120
TFS17	50	3200	1600	0.11	17	5 x 1.2	19	47	38	22	1.2	0.8	5	2.3	150
TFS20	84	2500	1300	0.18	20	6 x 1.6	21	52	45	27	1.2	0.8	6	2.3	220
TFS25	128	2000	1000	0.19	25	8 x 2.0	24	62	52	35	1.2	0.8	8	2.8	360
TFS30	200	1600	800	0.21	30	8 x 2.0	27	72	62	40	1.8	1.0	10	2.5	530
TFS35	475	1400	700	0.42	35	10 x 2.4	31	80	70	48	1.8	1.0	12	3.5	790
TFS40	607	1300	650	0.46	40	12 x 2.2	33	90	78	54.5	1.8	1.0	12	4.1	1050
TFS45	756	1100	550	0.56	45	14 x 2.1	36	100	85.3	59	1.8	1.0	14	4.6	1370
TFS50	1124	1000	500	0.60	50	14 x 2.1	40	110	92	65	1.8	1.0	14	5.6	1900
TFS60	1975	840	420	0.87	60	18 x 2.3	46	130	110	84	2.6	1.5	18	5.5	3110
TFS70*	2514	750	380	0.91	70	20 x 2.7	51	150	125	91	2.6	1.5	20	6.9	4390
TFS80*	3924	670	340	1.22	80	22 x 3.1	58	170	140	100	2.6	1.5	20	7.5	6440

\* = Non-stock item

### Installation and Usage

1. TFS Series Cam Clutches are designed for press fit installation. Correct interference dimensions must be maintained to obtain maximum clutch performance. The internal diameter of the housing should meet a H7 tolerance. Keyways should be made in the end faces of the clutch for proper installation.
2. To avoid any radial force and when installing the clutch, the usage of a type 63\*\* bearing is compulsory, since this clutch type does not have any bearing support.
3. Confirm the direction of rotation before installing. Clutch rotation is indicated by the arrow shown on the clutch plate.
4. The recommended shaft tolerance is h7 and the key profile should be in accordance with the following standards:  
 TFS 12           DIN6885.1  
 TFS 15 to 80   DIN6885.3
5. Suitable surface pressure of the key should be selected according to your company design standards.

### Lubrication

1. Oil lubrication is recommendable.
2. Never use oil or any other lubricant containing EP additives.

